



PNP General Purpose Amplifier

PXT2907A

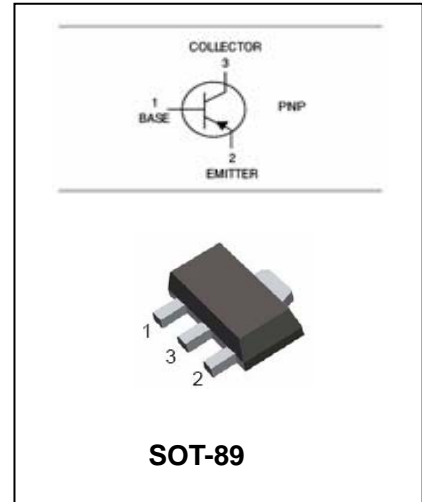
FEATURES

- High current.
- Low voltage.



APPLICATIONS

- Switching and linear amplification.



ORDERING INFORMATION

Type No.	Marking	Package Code
PXT2907A	P2F	SOT-89

MAXIMUM RATING @ Ta=25°C unless otherwise specified

Symbol	Parameter	Value	Unit
V _{CBO}	Collector-Base Voltage	-60	V
V _{CEO}	Collector-Emitter Voltage	-60	V
V _{EBO}	Emitter-Base Voltage	-5	V
I _C	Collector Current -Continuous	-600	mA
I _{CM}	Peak Collector Current	-800	mA
I _{BM}	Peak Base Current	-200	mA
P _D	Total Device Dissipation	1.3	W
T _j , T _{stg}	Junction and Storage Temperature	-65 to +150	°C



PNP General Purpose Amplifier

PXT2907A

ELECTRICAL CHARACTERISTICS @ Ta=25°C unless otherwise specified

Parameter	Symbol	Test conditions	MIN	MAX	UNIT
Collector-base breakdown voltage	$V_{(BR)CBO}$	$I_C=-10\mu A, I_E=0$	-60		V
Collector-emitter breakdown voltage	$V_{(BR)CEO}$	$I_C=-10mA, I_B=0$	-60		V
Emitter-base breakdown voltage	$V_{(BR)EBO}$	$I_E=-10\mu A, I_C=0$	-5		V
Collector cut-off current	I_{CBO}	$V_{CB}=-50V, I_E=0$		-10	nA
Emitter cut-off current	I_{EBO}	$V_{EB}=-5V, I_C=0$		-50	nA
DC current gain	h_{FE}	$V_{CE}=-1V, I_C=-100\mu A$	75	-	
		$V_{CE}=-1V, I_C=-1mA$	100	-	
		$V_{CE}=-1V, I_C=-10mA$	100	-	
		$V_{CE}=-2V, I_C=-150mA$	100	300	
		$V_{CE}=-10V, I_C=-500mA$	50	-	
Collector-emitter saturation voltage	$V_{CE(sat)}$	$I_C=-150mA, I_B=-15mA$ $I_C=-500mA, I_B=-50mA$		-0.4 -1.6	V
Base-emitter saturation voltage	$V_{BE(sat)}$	$I_C=-150mA, I_B=-15mA$ $I_C=-500mA, I_B=-50mA$		-1.3 -2.6	V
Transition frequency	f_T	$V_{CE}=-10V, I_C=-20mA,$ $f=100MHz$	200		MHz
Collector Capacitance	C_C	$V_{CB}=-10V, f=1.0MHz, I_E=0$	-	8	pF
Emitter Capacitance	C_e	$V_{EB}=-0.5V, f=1.0MHz, I_C=0$	-	35	pF
Delay time	t_d	$I_{Con}=-150mA, I_{Bon}=-15mA$ $I_{Boff}=-15mA$		12	ns
Rise time	t_r			30	ns
Storage time	t_s			300	ns
Fall time	t_f			65	ns



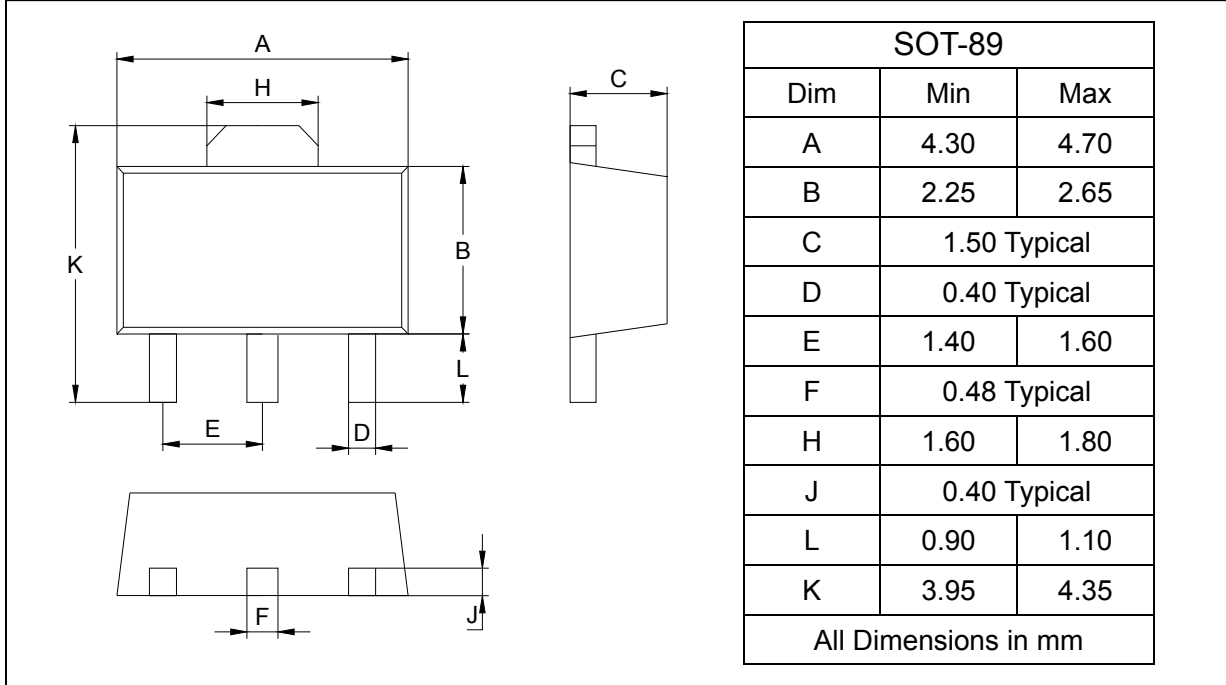
PNP General Purpose Amplifier

PXT2907A

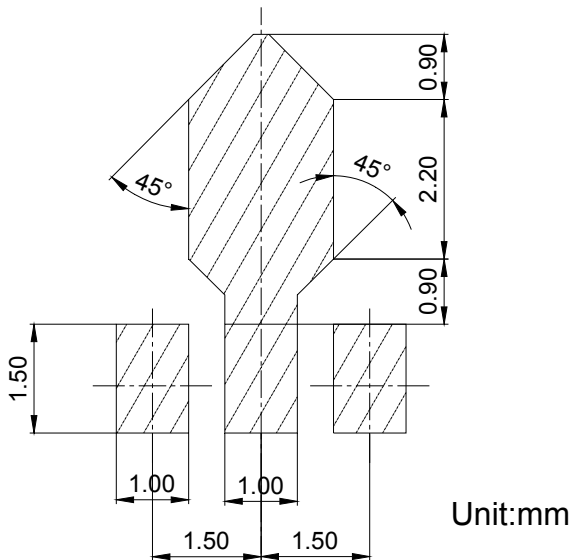
PACKAGE OUTLINE

Plastic surface mounted package

SOT-89



SOLDERING FOOTPRINT



PACKAGE INFORMATION

Device	Package	Shipping
PXT2907A	SOT-89	1000/Tape&Reel